



TITAN
TECHNOLOGIES INTERNATIONAL, INC

Dependable • Fast • Efficient

TITAN LP Series Model 24 LTD

Hydraulic Torque Wrenches

are an integral element to get
your bolting job done right, on time, every time



TITAN is a leading bolting solutions provider committed to offering the most reliable and comprehensive bolting solutions world wide.

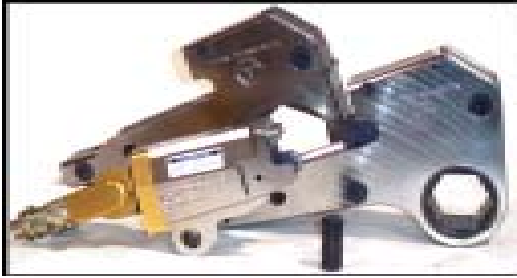


TITAN

TECHNOLOGIES INTERNATIONAL, INC

LP Series

Hydraulic Torque Wrenches

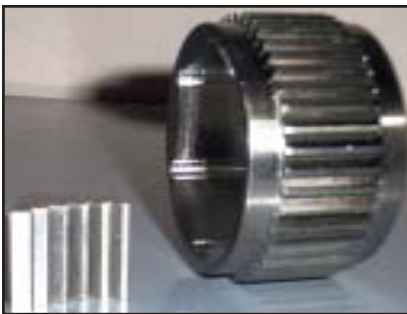


- **Powerful**
- **Compact**
- **Accurate**
- **Durable**



- **Faster**
- **Light-Weight**
- **Efficient**

Extreme Low Profile, Engineered to fit the tightest applications!

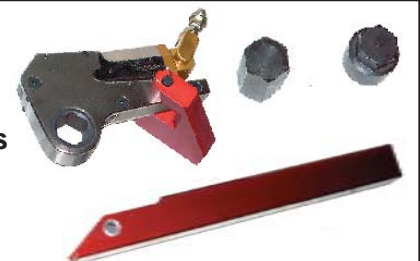


- **Unique Ratchet Tooth Design** for superior durability and accuracy.
- **TITAN Tru-Swivel™** Advanced patented, Multi-Axis design provides a low profile combined with ease of motion.
- **Finely Crafted** of the highest quality Aircraft Grade Materials for unrivaled strength and long life.
- **Ratcheting Assurance Mechanism** for hands free safety and unmatched repeatability.
- **Patented Energy Disbursement System** eliminates piston and cylinder damage due to over-stroke.
- **Sleek Design** affords Easy Fit on the tightest bolt patterns.
- **Unique** “Wide Track” Ratchet Pawl Mechanism distributes stress better than other designs for longer tool life and reduced repair costs.
- **Comparable width link and cylinder** due to oval piston design
- **Aluminum-bronze drive bushings** to reduce friction.
- **Tight Radius Link cassettes** engineered from FEA.
- **“Set Back” Cylinder Design** gives the accessibility of non-holding pawl tools with the advantages of a holding pawl.

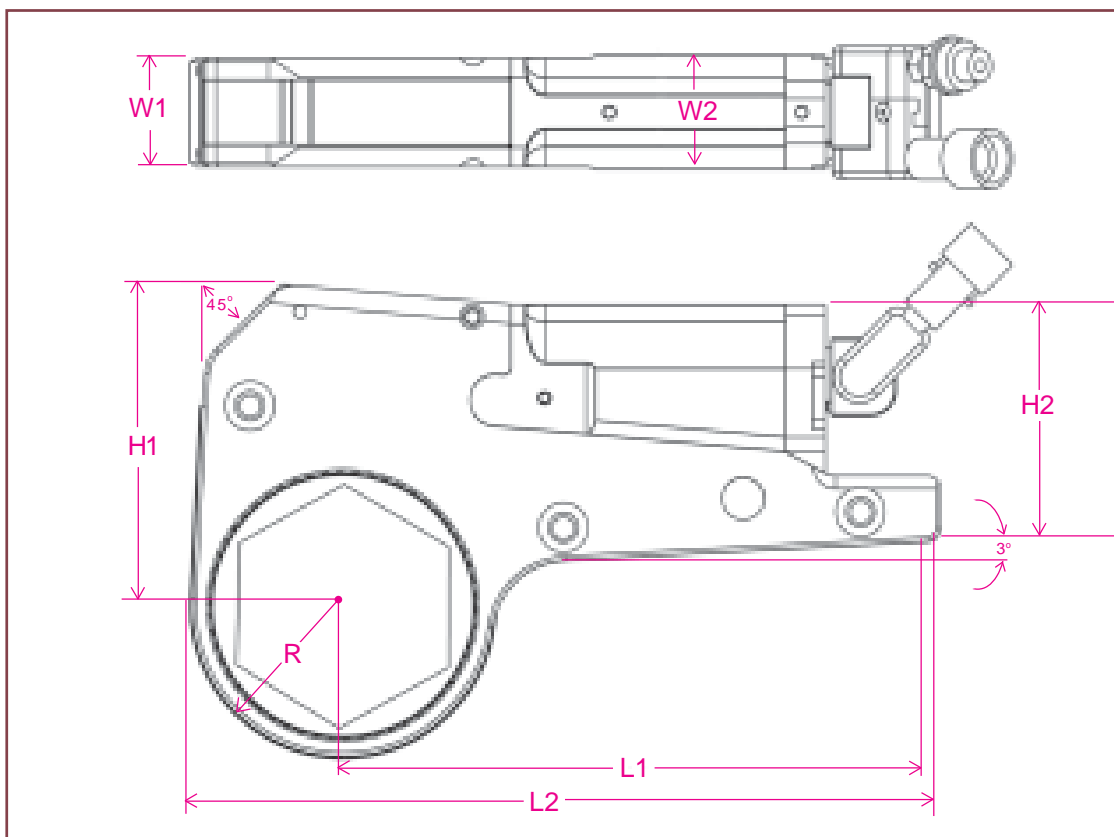


Accessories for the LP Tool

- ALCO extended reaction arm
- Reaction arms
- Hex & 12 pt. step-down sleeves
- Stack sockets
- Square drive adapter
- Hex stock



“The New Standard for Hydraulic Torque Wrenches”



Low cost step-down sleeves are available in all sizes.



Available in fractional & metric sizes, hex & 12 pt., square & 8 pt.

Patented multi-axis swivel, provides for better accessibility and prevents hose kinking.

Titan Model #	Units	LP24 LTD
Range of Hex Sizes Across Flat	(in)	2-1/2" - 6-1/8"
	(mm)	65mm - 155mm
Torque Range	(ft. lbs.)	2,400 ft. lb. - 24,000 ft. lb.
	(Nm)	3,254 Nm - 32,540 Nm
Cylinder Weight	(lbs.)	12 lbs.
	kg.	5.44 Kgs.
Range of Link Weight	(lbs.)	21 to 35.6
	kg.	9.6 to 16.4

LP24 LTD DIMENSIONS		
L1 -Maximum Reaction Reach	(in)	16"
	(mm)	406.4 MM
L2 -Overall Length	(in)	19.25"
	(mm)	489 MM
H1-Center of Bolt to Top of Tool	(in)	7.25"
	(mm)	184.15 MM
H2-Back End Height	(in)	8.5"
	(mm)	216 MM
W1 -Tool Width at Link	(in)	2.35"
	(mm)	57 MM
W2 -Tool Width at Cylinder	(in)	2.95"
	(mm)	75 MM
R -Tool Radius around Bolt	(in)	2.1" - 4.6"
	(mm)	54 MM - 117 MM



Tool lays flat for better accessibility

The Titan LP-24 LTD is manufactured solely from Aircraft Grade, High Strength Alloys selected for their superior stress and fatigue resistant properties.

TITAN Mission Statement

Our mission is to be the leading global provider of high-end bolting solutions for the benefit of our customers, our shareholders, our employees and our partners by providing:

- Direct customer relations and local presence in the markets served.
- Superior products and services.
- Total customer solutions.

Our unwavering mission guides our everyday actions....
Customer driven product development fuels our growth....
Listening to customer needs builds our market leadership....
Continuous improvement is fundamental to our continued success.

Titan Technologies - Different from other companies that sell bolting products and services. Titan is a solutions based company which features a vast array of solutions to any bolting application.



People: Titan enjoys a worldwide network of experienced experts trained to recommend the most cost-effective solution for your bolting job.

Technical Expertise - Bolting applications experience in multiple industries including power generation, oil and gas, chemicals, pulp and paper and more.



Quality: All of our products are designed using the latest aerospace finite element design techniques and machining technology.

Local Service - Extensive network of independent sales representatives and authorized dealers located worldwide.



Engineering: Titan spends a higher percentage of its revenue in research and development to ensure the highest quality and most durable products on the market.

Quality Guarantee
Extensive Warranty

ADDITIONAL PRODUCTS & SERVICES OFFERED

- T-Series Hydraulic Torque Wrenches
- HydraJac Bolt Tensioners - Modular Style
- HydraJac Bolt Tensioners - Dedicated Style
- HydraNut Hydraulic Nuts
- Power Spreader Flange Spreaders
- Power Splitter Nut Splitters
- Air Tite Pneumatic Torque Wrenches
- Sockets & Accessories
- Striking Wrenches
- Rentals For All Product Lines
- Equipment Service & Repair
- Calibration Service



TITAN

TECHNOLOGIES INTERNATIONAL, INC

9001 Jameel Road Suite 180

Houston, TX 77040

Toll-Free in North America: 866.345.8484

Phone: +1-281.449.9994 • Fax: +1-281.449.9996

Email: sales@TitanTi.com

<http://www.TitanTi.com>

Your Local **TITAN** Representative: